

PMC Harvesters

The Pea and Bean Harvester Specialist



979-CT

979-CT High Capacity Pea Harvester...

PMC has set the standard for pea harvesters over many years. The 979-CT pea harvester incorporates continuous design improvements for better performance and reduced maintenance. Built to the highest specifications, PMC pea harvesters are in use throughout the world, operating with great efficiency in differing crop and field conditions.

PMC works closely with the whole cross section of the industry to produce harvesters which maximise performance and provide the highest quality product as economically as possible.

Speed of response is an essential ingredient of PMC's after-sales service, including spare parts. PMC has the capability to provide the very best in pea harvesting technology, which is supported by specialist technical support, harvester maintenance and effective operator training. All of this combines to ensure our customers obtain the best value and performance from their investment.

...now with tracks!

PMC have now introduced a tracked version of the 979-CT self propelled Pea Harvester.

The machine has been designed to meet the specific needs of customers working in difficult conditions such as re-claimed land.

The TerraTrac has a sophisticated belt tensioning system that enables the belt, rubber track, to be under a lot of tension. Studies have proved that the higher the tension, the lower the ground pressure. Also, the high tension gives reliable friction drive of the track.

This tracked version of the 979-CT is equipped with hydraulic suspension of the TerraTrac unit to minimise vibration of the machine both on the road and in the field.

The tracks enable the machine to average out the unevenness of the field, caused by previous operations, to give a smoother riding machine.



The 979-CT can easily be converted to harvest broad beans

979-CT PMC Harvesters



An ergonomically designed cabin offers the optimal work area for the operator. The HVS system in the cabin continually monitors the harvester's key functions. It is also used for anti-slip control of the transmission and to maintain constant beater speed.



A consistently high quality clean pea sample is delivered into the large capacity hopper. This is a major benefit for factory processing.



Two variable speed suction fans for controlled separation of waste products from peas.

4 optionally located CCTV cameras enable in-cab monitoring of the infeed system and filling of the hopper and also serve as an aid to reversing.

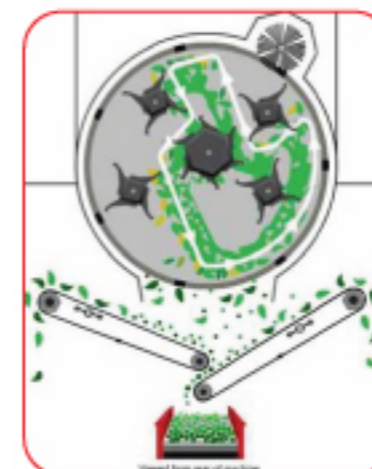


The six wheel configuration, coupled with the use of radial tyres, minimises soil compaction.



The Claas TerraTrac system is a proven design, available as an alternative to the standard six-wheeled harvester.

The unique five beater threshing system consistently delivers high production rates. It is gentle in operation, minimising damage, especially on low TR, high quality freezing peas.



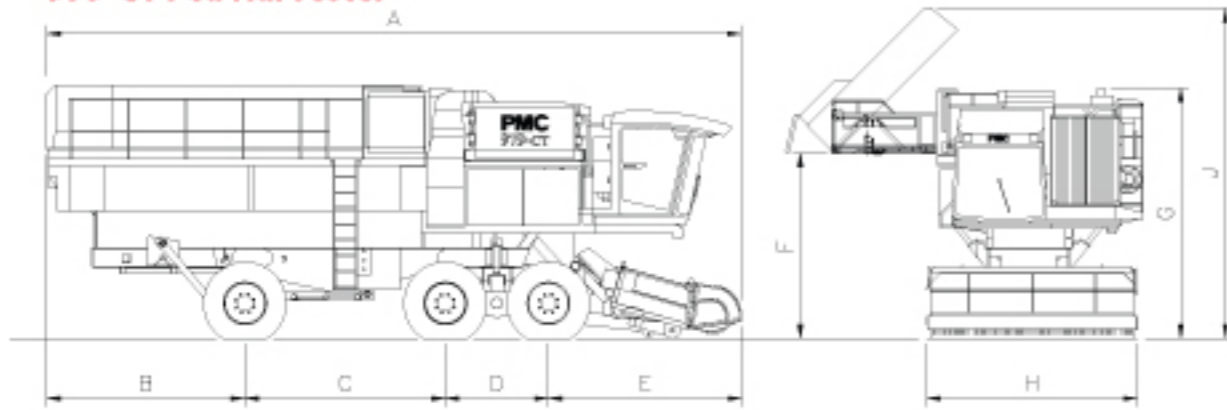
there is a large, clear area of screens on the threshing drum the peas can quickly pass through them, which minimises damage to the peas at this crucial stage of the process. Tests show that in low TR crops the system is the best available and it works equally as well in all other conditions. The screens are kept clean by rotating brushes positioned along the length of the threshing drum.

The peas and some waste material exits the threshing drum and then goes through four further cleaning processes where the waste material is removed. After the final cleaning process the peas are stored in the hopper on the machine. Waste material from the cleaning processes is discharged onto the field whilst any un-threshed pods are returned into the threshing system.

Once the pods have been stripped from the vine they are transferred to the threshing drum by a series of conveyors. Here the PMC threshing system quickly and gently removes the peas from the pods. Because

The result
maximum yield of good whole peas

979-CT Pea Harvester



Main dimensions

Length	A	11975
Overhang	B	3555
Wheel centres	C	3350
Wheel centres	D	1550
Overhang front	E	3520
Discharge height	F	2830
Height (level)	G	4150
Height (road, Rear m/c down)	G	4000
Height	J	5300
Width	H	3500/4000
Width outside tyres		3224

Weights (on the road)		Kgs
Front axle		8360
Centre axle		8360
Rear axle		9400
Total (approx)		26120

Weights (on the field)		Kgs
Front axle		8800
Centre axle		8800
Rear axle		8520

Fluid Capacities

Fuel	775 litres
Hydraulic oil	550 litres
Hydrostatic Tank	110 litres

Tyres

Trelleborg Twin Radial	680/55 R 26.5
Static Loaded radius	0.63m
Rolling circumference	4.21m
Pressure Front Bogie	2.0 bar
Rear axle	2.2 bar

Engine

Make	Deutz liquid cooled
Type	TCD 2015 V06
Power rating	300kW (ISO 3046)
Capacity	11.906 litres

Transmission

Type	Hydrostatic
Pump	S-D 90/130 cc/rev
Motors (rear)	Poclairn S18
Motors (front)	Poclairn S18
Motor displacement	1501/545cc

Vehicle Speeds

Road	25kph
Field	9kph

Hopper Capacity

Volume	3.1m ³
Weight of peas	1900 kg (approx)

Levelling

Front to rear	15% (8.5°)
Side to side	18% (10.2°)

Optional extras

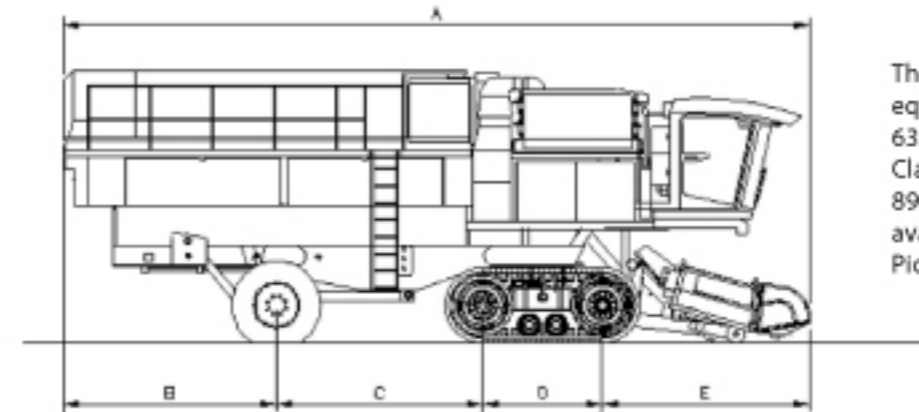
- 24hr Fuel Tanks
- Rubber picking tines
- Hopper weigh cells
- 3.8m Picking width

PMC Harvesters pursues a policy of continuous product improvement and reserves the right to change specifications, models and designs without notice or obligation.

979-CT

PMC Harvesters

979-CT Pea Harvester – With Tracks



The machine can be equipped with either the 635mm or the 890mm wide Claas TerraTrac system, the 890mm wide track only being available with the 4mtr Picking Head option.

Main dimensions

Length	A	11975
Overhang	B	3555
Wheel centres	C	3140
Wheel centres	D	1825
Overhang front	E	3455
Discharge height	F	2830
Height (level)	G	4150
Height (road, Rear m/c down)	G	4000
Height	J	5300
Width	H	3500/4000
Width outside tyres		3224

Weights (on the road)		Kgs
Total (approx)		28260

Fluid Capacities

Fuel	775 litres
Hydraulic oil	550 litres
Hydrostatic Tank	110 litres

Tyres

Trelleborg Twin Radial	680/55 R 26.5
Pressure Rear axle	2.2 bar

Engine

Make	Deutz liquid cooled
Type	TCD 2015 V06
Power rating	300kW (ISO 3046)
Capacity	11.906 litres

Transmission

Type	Hydrostatic
Pump	Sauer Danfoss
	S-D 90/130 cc/rev
Rear axle motors	Poclairn S18 (2)
Front axle motors	Sauer Danfoss (2)

Vehicle Speeds

Road	25kph
Field	9kph

Hopper Capacity

Volume	3.1m ³
Weight of peas	1900 kg (approx)

Levelling

Front to rear	15% (8.5°)
Side to side	18% (10.2°)



09/2009

Holt Road, Fakenham, Norfolk NR21 8JH, England
Tel: +44 (0)1328 851111 Fax: +44 (0)1328 855439 www.pmcharvesters.com